

1/4-28 X .38 [9.6] DEEP
(4 STANDOFFS) FOR
MOUNTING BOLTS

OPTIONAL TERMINALS
FOR PUSH ON OR
SOLDER CONNECTIONS
(.032 X .250) [0.8] X [6.4]

NOTES:

- # MAXIMUM OUTPUT CURRENT IN OUTPUT VOLTAGE RANGE FROM 0 TO 25% ABOVE LINE VOLTAGE. AT HIGHER OUTPUT VOLTAGES, THE OUTPUT CURRENT MUST BE REDUCED ACCORDING TO THE DERATING CURVE FIGURE A.
- † IF GANGED UNITS ARE USED IN A SYSTEM THAT ORDINARILY HAS A COMMON NEUTRAL OR GROUND BETWEEN SOURCE AND LOAD, THE NEUTRAL OR GROUND MUST BE CONNECTED TO THE COMMON TERMINALS OF THE VARIABLE TRANSFORMER ASSEMBLY. IF THE SYSTEM HAS NO NEUTRAL, THE LOAD MUST BE BALANCED OR THE TRANSFORMERS WILL BE DAMAGED.
- § MAXIMUM KVA AT MAXIMUM OUTPUT VOLTAGE AND CORRESPONDING DERATED OUTPUT CURRENT. MAXIMUM KVA FOR LOWER VOLTAGES MAY BE CALCULATED FROM DERATING CURVE FIGURE A.
- JUMPER PROVIDED IN THE STANDARD COMMON POSITION AND SHOULD BE MOVED OR REMOVED AS REQUIRED.

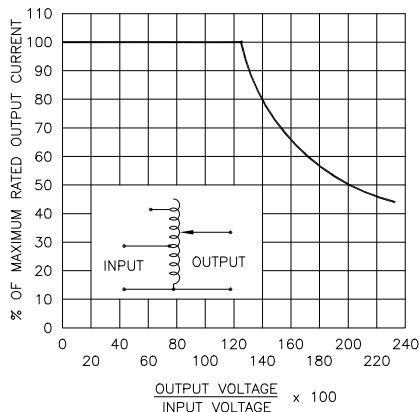
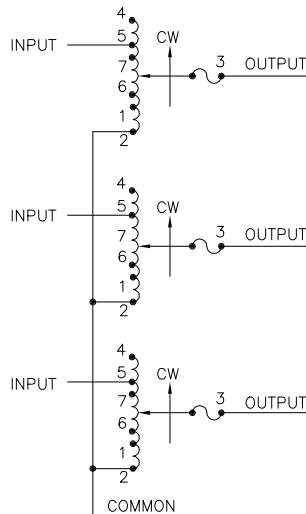


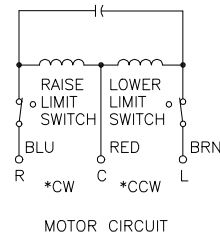
FIGURE A

MAXIMUM OUTPUT CURRENT OF ANY
DUAL INPUT VOLTAGE OR VOLTAGE DOUBLER
UNIT OPERATED AT LOWER INPUT VOLTAGE.



Schematic

NOTE:
FUSE RECOMMENDED BUT NOT SUPPLIED



120V, 50/60 HZ
* ROTATION AS VIEWED
FROM MOTOR END
MOTOR SPEED: 5 SEC.

SPECIFICATIONS											
WIRING	INPUT		OUTPUT				SHAFT ROTATION TO INCREASE VOLTAGE	TERMINAL CONNECTIONS			
	VOLTS	HERTZ	VOLTS	CONSTANT CURRENT LOAD MAX. AMPS	CONSTANT IMPEDANCE LOAD MAX. KVA	MAX. AMPS		MAX. KVA	FOR INCREASING VOLTAGE AS VIEWED FROM BASE END		
THREE PHASE WYE π	480	50/60	0-480	9.5	7.90	12	10	CW	2-2-2	4-4-4	3-3-3
				CCW	4-4-4	2-2-2	3-3-3				
				CW	1-1-1	4-4-4	3-3-3				
	240	60	0-560	9.5#	3.96§	—	—	CCW	5-5-5	2-2-2	3-3-3
				CW	7-7-7	4-4-4	3-3-3				
				CCW	6-6-6	2-2-2	3-3-3				

UNLESS OTHERWISE SPECIFIED, TOLERANCE IS ±			UNITS		TITLE:	
DECIMALS	HOLES	ANGLES	IN [mm]		SPEC. CONTROL DWG.	
.XX	±.06	1°	DRAFT		VARIABLE TRANSFORMER	
.XXX	±.002		1-1/2°		TYPE: 5M1520-3	
MATERIAL:			ALL DIMENSIONS APPLY AFTER PLATING		DRAWN BY: TIM RAU	
The information and design disclosed herein was originated by and is the property of STACO ENERGY PRODUCTS CO., which reserves all patent, proprietary, design, manufacturing, reproduction, use and sale rights thereto, and to any article disclosed therein except to the extent rights are expressly granted to others. The foregoing does not apply to vendor proprietary parts.			DATE: 12/13/95		FIRST USED ON: DO NOT SCALE DWG.	
CHECKER:			DATE:		WEIGHT APPROX. CODE IDENT. NO. 83008	
ENGINEER:			DATE:		SCALE: .5=1 SHEET 1 OF 1	

DATE: 12/13/95		FIRST USED ON:		DO NOT SCALE DWG.	
CHECKER:		DATE:		WEIGHT APPROX. CODE IDENT. NO. 83008	
ENGINEER:		DATE:		SCALE: .5=1 SHEET 1 OF 1	

STACO ENERGY PRODUCTS CO.
A COMPONENTS CORPORATION OF AMERICA COMPANY
DAYTON, OHIO U.S.A.

CUSTOMER APPROVAL:	DATE:
DWG. NO. 031-4065	DWG. SIZE C